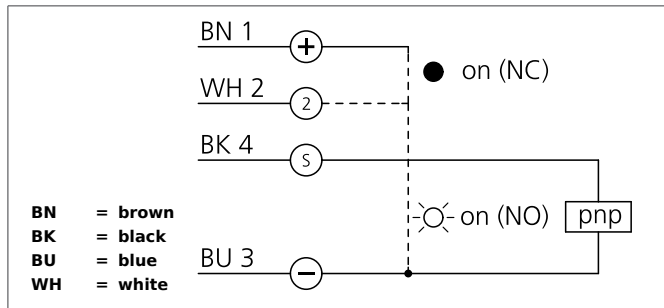


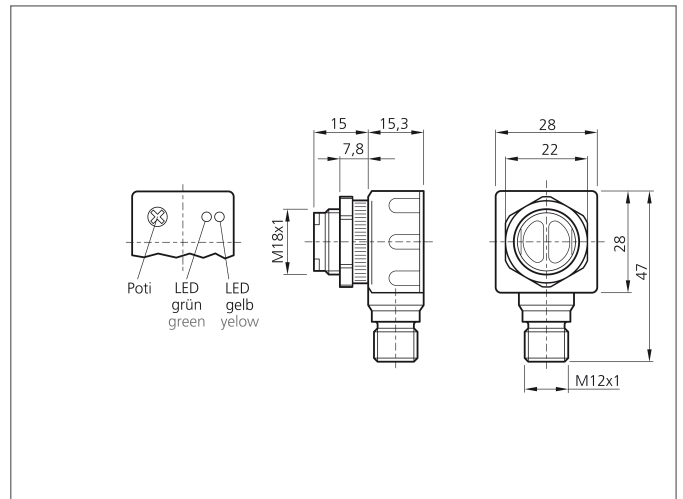
OR 6-18 KR 2000 P3K-BSL Retroreflective Sensor

- Reflector included
- Plastic housing
- Connector M12
- Infrared light
- Sensitivity adjustable
- LED indicator for output state



Safety instructions

The Instruments are not to be used for safety applications, in particular applications in which safety of persons depends on proper operation of the instruments. These instruments shall exclusively be used by qualified personnel.



TECHNICAL INFORMATION (typ.)	+20°C, 24V DC
Operating principle	Retroreflective sensor
Evaluation	digital
Size	28 x 28 x 15.3 mm (Dimensions) M18 x 1 (thread)
Design	cuboid design
Emitted light	Infrared, 880 nm, clocked
Operating distance	2.000 mm, 3.000 mm, 6.000 mm
Service voltage	10 ... 30 V DC
Internal power consumption	< 30 mA
Notee, powered by	2.000 mm (R 46) 3.000 mm (R 84) 6.000 mm (R 100x100)
Sensitivity adjustment	potentiometer
Referring reflector	R 46, (included)
Switching output	pnp, 100 mA, NO/NC, programmable
Switching frequency	333 Hz
Response-/release time	1,5 ms / 1,5 ms
Ambient temperature	-25 ... +55 °C
Ambient light immunity	3 kLx, clocked light, > 10 kLx, Sunlight
Protection class	IP 66
Protection degree	III, operation on protective low voltage
Casing material	ABS
Material	polymethyl methacrylate (Window)
Connection	Connector, M12, 4-poled